



Why PrimeTime Technology?

Perfect backlight or highlight.

Accessorized to control camera glare.

Spectacular images - every day

Color balanced.
10,000 Lamp hours.
No lamp adjustment or replacement for years.

Directional control

Soft, linear fill with no camera glare.

No new power

Refit to existing electrical circuits.

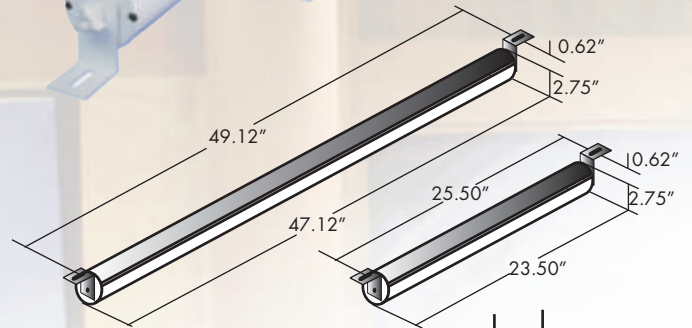
Total control

Tungsten or Daylight balance.
Line voltage or analog dimming (LF154 only).

Video conference. Distance learning. Small studios.
BACKLIGHT or highlight, linear fill with a 2.75" diameter tube light.

Power Control

FUL Standard	100%
Non dimming	
DIM Line Voltage	0-100%
Power line voltage controls intensity (2 wire dimming)	
DAN Analog (LF154 only)	2-100%
Seperate 0-10V Circuit controls intensity	



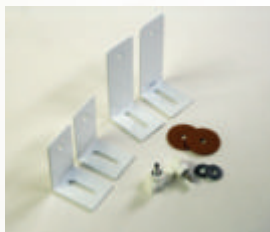
Bare



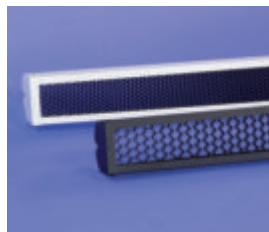
Wide



Medium



Surface mount kit, short and tall brackets, included.



Honeycomb



Bale



214.393.5998
FAX:214.393.5999
www.kw2.com



Manufactured by PL Systems, Inc.
10529 Olympic Drive, Suite #102
Dallas, Texas 75220

Accessory List

LF15-45HC-C	Honeycomb, 4ft, wide, black
LF15-45HC-T	Honeycomb, 4ft, wide, white
LF15-25HC-C	Honeycomb, 4ft, medium, black
LF15-25HC-T	Honeycomb, 4ft, medium, white
LF12-45HC-C	Honeycomb, 2ft, wide, black
LF12-45HC-T	Honeycomb, 2ft, wide, white
LF12-25HC-C	Honeycomb, 2ft, medium, black
LF12-25HC-T	Honeycomb, 2ft, medium, white
LF15BALE-C	Bale, 4ft, black
LF15BALE-T	Bale, 4ft, white
LF12BALE-C	Bale, 2ft, black
LF12BALE-T	Bale, 2ft, white
2SC	2" Studio C Clamp, short bolts
SCC	Safety cable
10BNC	10ft BNC cable
50BNC	50ft BNC cable

All Fixtures furnished with 12ft power cord
DAN & DNR furnished with 10ft BNC cable

Ordering Chart

54/830

Studio Lamps 54W T5HO

Catalog ID	Color Temp	CRI	Light output
54/830	3000K	82%	5000L
54/860	6000K	82%	5000L
24/830	3000K	82%	2000L

24W not available in daylight balance

(One lamp included with each fixture)

Ordering Chart

LF154	D	C	-	FUL	120	H
Fixture Model	Lens	Color		Dimming Options	Voltage	Cord Set
LF 154	D: Clear (standard) N: No lens W: White F: Fresnel	C Black Housing T White Housing		FUL - Full power ballast DIM - Line voltage dimming DAN - 0-10V Analog dimming	120V, 60Hz 230: 230V, 50Hz 277: 277V, 60Hz	P5: 5-15P (3 prong, 'Edison cord set) 120V Models only A10: 10ft 14/3 flex armored whip B: external BNC Jacks WP: flexible metal whip
LF 124				FUL - Full power ballast ONLY		

Available Models



Specifications

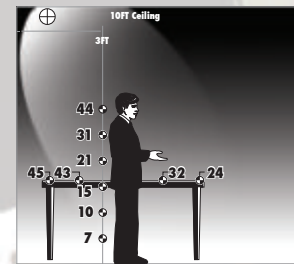
Sound rating	>Class A
Start temperature	50 degrees F
Lamp type	T5HO triphosphor
Lamp frequency	25,000 Hz
Power factor	>0.95
Total Harmonic Distortion	<10%
Transient protection	EMI Filter FCC Part18C Class A IEEE 587A (ANSI C62.41)
Beam Angle	@ 0 = 115, @ 90 = 70
Field Angle	@ 0 = 170, @ 90 = 108

LF154

Housing	10 lbs, aluminum, black or white
Power consumption	0.5Amps @ 120V,60Hz (54 Watts) 0.22Amps @ 277V,60Hz (54 Watts)*
Peak Candlepower	2,760 Candelas
Typical lamp output	5,000 Lumens

LF124

Housing	6 lbs, aluminum, black or white
Power consumption	0.23Amps @ 120V,60Hz (24 Watts) .10Amps @ 277V,60Hz (24 Watts)*
Peak Candlepower	1,100 Candelas
Typical lamp output	2,000 Lumens



Values shown in Foot Candles

Vertical FC on speaker.
Horizontal FC on table.
Three LF154's per row,
data at center of row.