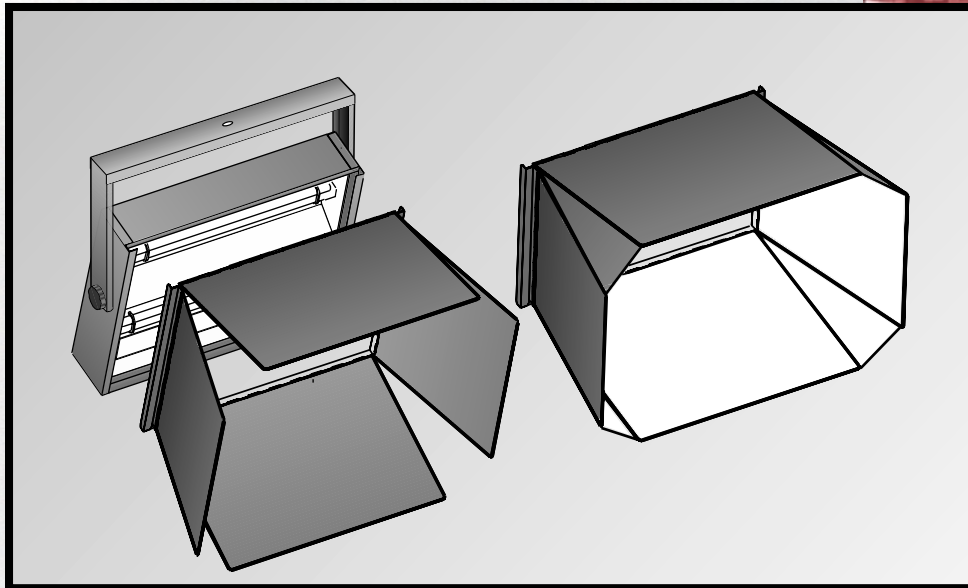


MVP STUDIO SERIES

STUDIO LIGHT BARN DOORS AND REFLECTOR KITS



2BL4FT55 BASE LIGHT SHOWN WITH BLACK BARN DOOR AND BARN DOOR WITH REFLECTOR INSERT

FEATURES Maximum glare reduction is available with this series of 14", adjustable Barn Doors. The KW/2 Studio Light Barn Door can block any light wider than 55 degrees from a theoretical line from the center of the fixture to the center of the target. No performance loss is to be expected at the center of the target, as compared to a bare fixture. The use of reflective inner panels can enhance the throw of light and can perform like a snoot, where applicable.

The addition of KW/2 Barn Doors has no discernible effect on color of light. KW/2 Barn Doors, when installed to any model will narrow the beam spread the desired amount with adjustment.

SPECIFICATIONS All aluminum construction. Adjustable hinge assemblies. Matte black powder coat finish. Surface reflectance is less than 10%. Panels are the full height and width of each studio light with 14" depth. Barn Door assembly folds flat for storage.

Studio Light	Barn Door Part #	Reflective Insert Set Part #
1SL2FT55	1SL-BD-1782-D	1SL-RI-1782-H
1BL2FT55	1BL-BD-1782-C	1BL-RI-1782-G
2BL4FT55	2BL-BD-1782-B	2BL-RI-1782-F
3BL6FT55	3BL-BD-1782-A	3BL-RI-1782-E

- Available For Most KW/2 Studio Lights
- Eliminates Glare When Viewed Off Axis
- Four Full Length 14" Adjustable Panels
- Slides Into Gel Slot
- All Aluminum Construction
- Matte Black Powder Coat Finish
- Specular Reflective Inserts Optional
- Doubles Throw

A Division of Solar Kinetics, Inc
10635 King William Drive Dallas, Texas 75220
Tel 1-800-949-7654 Fax 972-869-4158



MVP STUDIO SERIES

STUDIO BARN DOORS WITH REFLECTOR KITS FOR MAXIMUM THROW

14" BARN DOORS WITH INSERT REFLECTORS

WEIGHT	4-8 LBS.
LUX @ 12 FEET	450- 1,200
FOOTCANDLES @ 12 FEET	42-113
PEAK CANDLEPOWER	6,000-17,000
HOUSING	ALUMINUM
EXTERIOR FINISH	MATTE BLACK
INTERIOR FINISH	95% SPECULAR
MOUNTING	IN GEL SLOT
APERTURE GEL SLOT	NO

MODEL	D	H	W
1BLBD1782CG	15"	13.5"	31.5"
2BLBD1782BF	15"	22"	31.5"
3BLBD1782AE	15"	31.5"	31.5"
1SLBD1782DE	15"	15.5"	31.5"

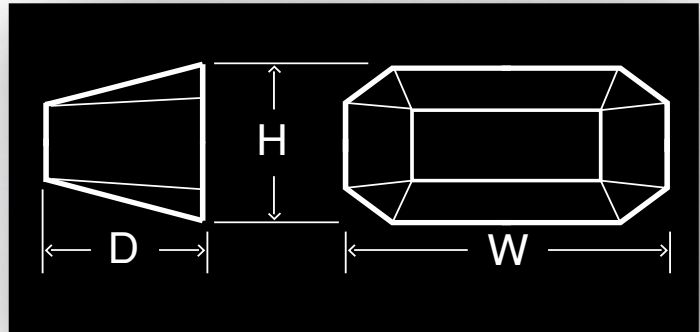
FEET

DISTANCE (D)	9	12	15	18	21
LENGTH (L)	10.4	13.9	17.3	20.8	24.3
HEIGHT (H)	8.4	11.2	14.0	16.8	22.4

FIXTURES WITH REFLECTIVE BARNDOORS

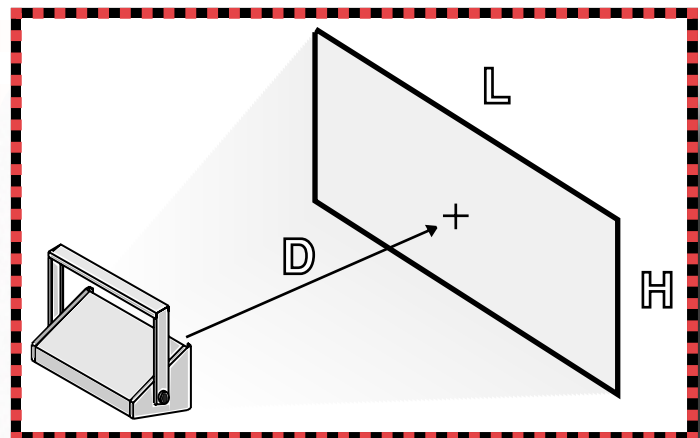
FIXTURE	FOOTCANDLES AT CENTER				
1BL-2FT55+BDR	78	42	28	20	14
2BL-4FT55+BDR	150	84	54	38	28
3BL-6FT55+BDR	215	113	78	54	40
1SL-2FT55+BDR	136	71	49	34	25

GONIO-PHOTOMETRY IN ACCORDANCE WITH IESNA LM-41



THE MVP STUDIO SERIES INCLUDES

- 2 LAMP ACCENT ILLUMINATORS
- 2, 4 + 6 LAMP WIDE ILLUMINATORS
- 12" SNOOTS
- ADJUSTABLE 14" BARN DOORS
- SPECULAR INSERTS FOR DOORS
- 45 DEGREE CUT-OFF EGG CRATES
- 30 DEGREE CUT-OFF EGG CRATES
- 45 DEGREE CUT-OFF HONEYCOMB
- PORTABLE LIGHT WITH ADJUSTABLE REFLECTORS
- LAMP COLORS 3000, TO 5400 KELVIN
- BALLAST VOLTAGE 120, 277 + 230 50 Hz
- CUSTOM DESIGNS TO SUIT YOUR NEEDS



A Division of Solar Kinetics, Inc
 10635 King William Drive Dallas, Texas 75220
 Tel 1-800-949-7654 Fax 972-869-4158

