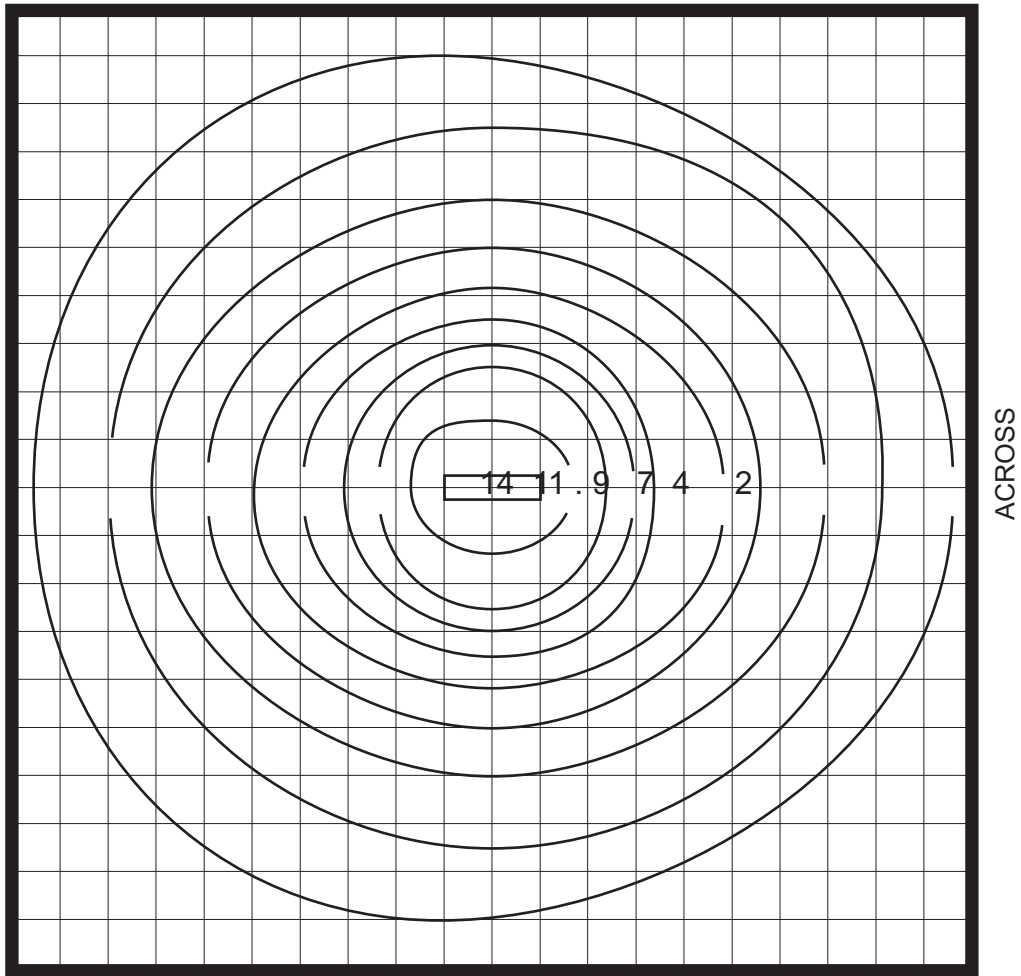


Distance at Center / Foot-candles at Center  
Direct Beam Only. No Reflected Light

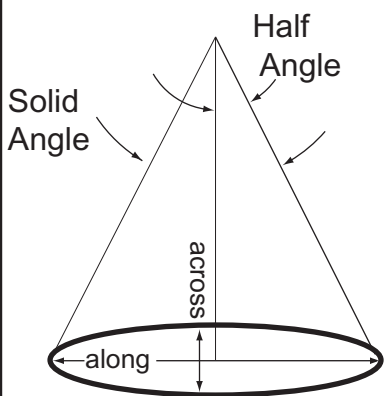
6'	10'	20'	30'
39	14	3	1

LIGHT PATTERN ON PERPENDICULAR SURFACE  
SURFACE SIZE = 20' X 20'. DISTANCE 5'  
GRID IS ON 1' CENTERS

Fixture model	# diodes	attenuator
MSLED5-60-L2-SR-56k	5	NONE



Zonal Output	
Half Angle	% Output
0-30 dgr.	52
0-40 dgr.	71
0-60 dgr.	91
0-90 dgr.	100
Solid Angle	degrees
Beam angle across	50
Beam angle along	120
Field angle across	70
Field angle along	140



ALONG

ACROSS