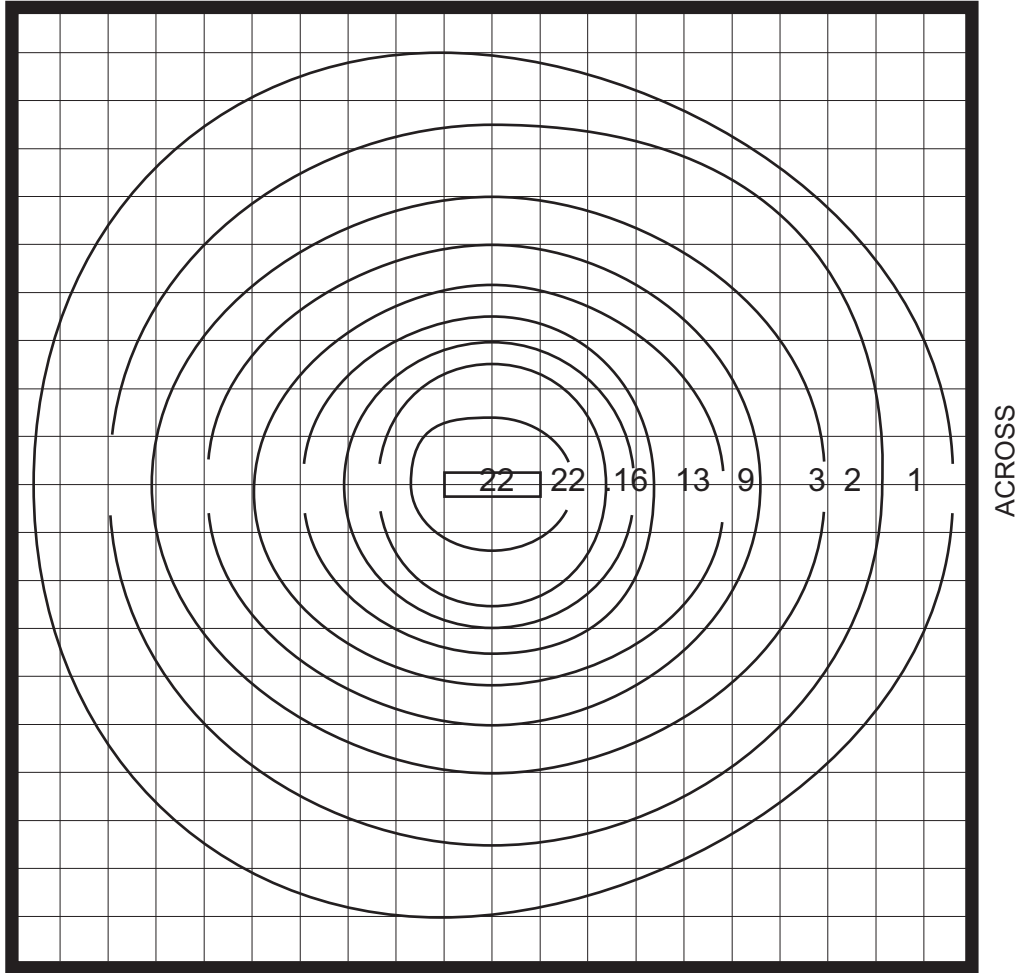


Distance at Center / Foot-candles at Center
Direct Beam Only. No Reflected Light

6'	10'	20'	30'	40'
64	22	6	3	1

LIGHT PATTERN ON PERPENDICULAR SURFACE
SURFACE SIZE = 20' X 20'. DISTANCE = 10'
GRID IS ON 1' CENTERS

Fixture model	# diodes	attenuator
MSLED10-60-L2-SR-32K	10	NONE



Zonal Output	
Half Angle	% Output
0-30 dgr.	52
0-40 dgr.	71
0-60 dgr.	91
0-90 dgr.	100
Solid Angle	degrees
Beam angle across	50
Beam angle along	120
Field angle across	70
Field angle along	140

