



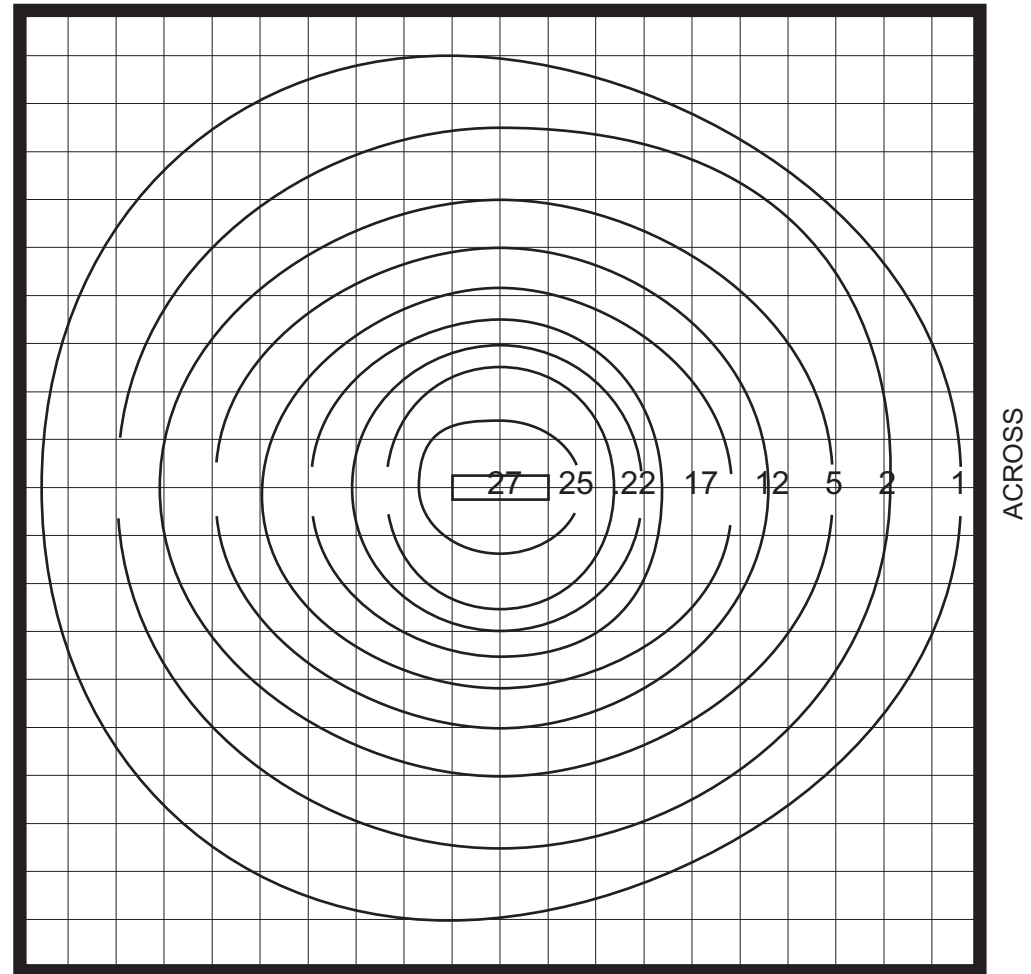
Primetime Lighting Systems, Inc.
 4124 Billy Mitchell Drive
 Addison, TX 75001
 (214) 393-5998

Distance at Center / Foot-candles at Center
 Direct Beam Only. No Reflected Light

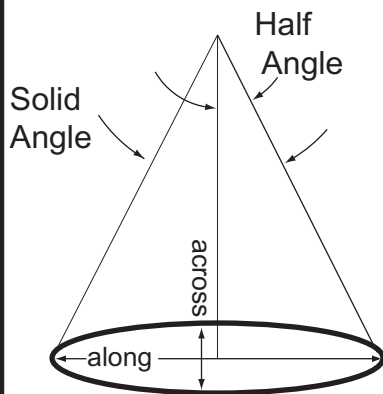
6'	10'	20'	30'	40'
75	27	6	3	1

LIGHT PATTERN ON PERPENDICULAR SURFACE
 SURFACE SIZE = 20' X 20'. DISTANCE = 10'
 GRID IS ON 1' CENTERS

Fixture model	# diodes	attenuator
MSLED10-60-L2-SR-56K	10	NONE



Zonal Output	
Half Angle	% Output
0-30 dgr.	52
0-40 dgr.	71
0-60 dgr.	91
0-90 dgr.	100
Solid Angle	degrees
Beam angle across	50
Beam angle along	120
Field angle across	70
Field angle along	140



ALONG

ACROSS