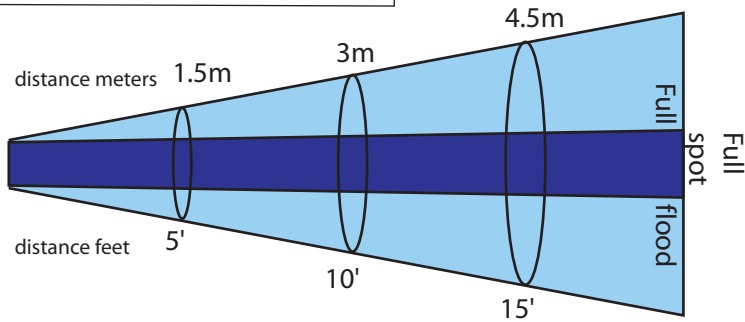


PHOTOMETRIC DATA
GUS 51 LED

DAYLIGHT CRI 95
CCT 5600 KELVIN



FULL SPOT 46,650 Candelas

Light beam diameter
beam angle 11 degrees

Illumination center of
Beam at distances

Light beam diameter
field angle 20 degrees

.3m	..6 m	.9m
1'	2'	3'
1866 fc	466 fc	207 fc
20078 lux	5014 lux	2227 lux
.5m	1m	1.5m
1.8	3.6'	5.3'

ONE TURN FROM FULL SPOT 27,333 Candelas

Light beam diameter
beam angle 16 degrees

Illumination center of
Beam at distances

Light beam diameter
field angle 27 degrees

.4m	..8m	1.2m
1.4'	2.8'	4.2'
1093 fc	273 fc	121 fc
11764 lux	2937 lux	1306 lux
.73m	1.4m	2.8m
2.4'	4.8'	7.2'

TWO TURNS FROM FULL SPOT 11,640 Candelas

Light beam diameter
beam angle 28 degrees

Illumination center of
Beam at distances

Light beam diameter
field angle 39 degrees

.7m	1.5m	2.1m
2.4'	5'	6.6'
466 fc	116 fc	52 fc
5014 lux	1248 lux	560 lux
1.1m	2.2m	3.3m
3.5'	7'	10.5'

THREE TURNS FROM FULL SPOT 6,016 Candelas

Light beam diameter
beam angle 42.5 degrees

Illumination center of
Beam at distances

Light beam diameter
field angle 55 degrees

1.2m	2.3m	3.6m
3.8'	7.6'	11.4'
240 fc	60 fc	27 fc
2589 lux	645 lux	290 lux
1.5m	3m	4.5m
5'	10'	15'

FULL FLOOD 3,265 Candelas

Light beam diameter
beam angle 64 degrees

Illumination center of
Beam at distances

Light beam diameter
field angle 80 degrees

1.8m	3.7m	5.4m
6.1'	12.2'	18.3'
131fc	33 fc	15 fc
1410 lux	355 lux	161 lux
2.5m	5m	7.6m
8.2'	16.4'	25'