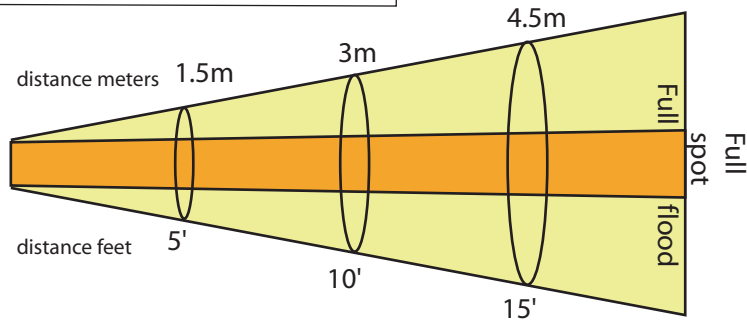


PHOTOMETRIC DATA  
GUS 51 LED

TUNGSTEN CRI 95  
CCT 3,200 KELVIN



FULL SPOT 43,200 Candelas

Light beam diameter  
beam angle 11 degrees

Illumination center of  
Beam at distances

Light beam diameter  
field angle 20 degrees

|           |          |          |
|-----------|----------|----------|
| .3m       | ..6 m    | .9m      |
| 1'        | 2'       | 3'       |
| 1728 fc   | 432 fc   | 196 fc   |
| 18593 lux | 4648 lux | 2108 lux |
| .5m       | 1m       | 1.5m     |
| 1.8       | 3.6'     | 5.3'     |

ONE TURN FROM FULL SPOT 25,309 Candelas

Light beam diameter  
beam angle 16 degrees

Illumination center of  
Beam at distances

Light beam diameter  
field angle 27 degrees

|           |          |          |
|-----------|----------|----------|
| .4m       | ..8m     | 1.2m     |
| 1.4'      | 2.8'     | 4.2'     |
| 1012 fc   | 253 fc   | 112 fc   |
| 10982 lux | 2722 lux | 1205 lux |
| .73m      | 1.4m     | 2.8m     |
| 2.4'      | 4.8'     | 7.2'     |

TWO TURNS FROM FULL SPOT 10,777 Candelas

Light beam diameter  
beam angle 28 degrees

Illumination center of  
Beam at distances

Light beam diameter  
field angle 39 degrees

|          |          |         |
|----------|----------|---------|
| .7m      | 1.5m     | 2.1m    |
| 2.4'     | 5'       | 6.6'    |
| 431 fc   | 108 fc   | 48 fc   |
| 4638 lux | 1162 lux | 515 lux |
| 1.1m     | 2.2m     | 3.3m    |
| 3.5'     | 7'       | 10.5'   |

THREE TURNS FROM FULL SPOT 5,570 Candelas

Light beam diameter  
beam angle 42.5 degrees

Illumination center of  
Beam at distances

Light beam diameter  
field angle 55 degrees

|          |         |         |
|----------|---------|---------|
| 1.2m     | 2.3m    | 3.6m    |
| 3.8'     | 7.6'    | 11.4'   |
| 223 fc   | 56 fc   | 25 fc   |
| 2397 lux | 630 lux | 269 lux |
| 1.5m     | 3m      | 4.5m    |
| 5'       | 10'     | 15'     |

FULL FLOOD 3,023 Candelas

Light beam diameter  
beam angle 64 degrees

Illumination center of  
Beam at distances

Light beam diameter  
field angle 80 degrees

|          |         |         |
|----------|---------|---------|
| 1.8m     | 3.7m    | 5.4m    |
| 6.1'     | 12.2'   | 18.3'   |
| 121fc    | 30 fc   | 13 fc   |
| 1300 lux | 323 lux | 145 lux |
| 2.5m     | 5m      | 7.6m    |
| 8.2'     | 16.4'   | 25'     |