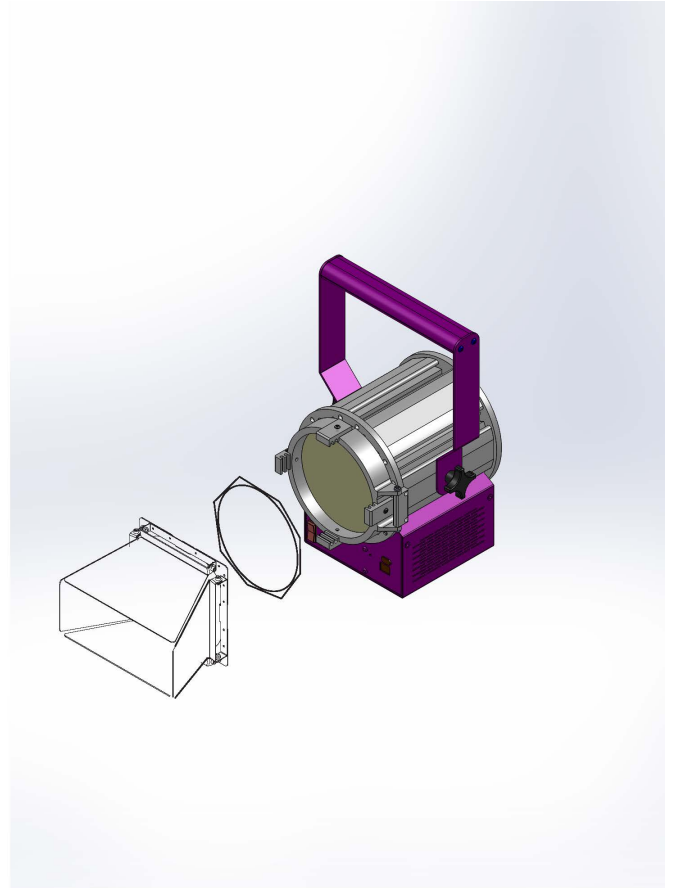


GUS 51 LED Fresnel Operating Manual

SPECIFICATIONS

Model: GUS-51 LED FRESNEL
Lamps: 1 COB (multi chip LED)
Power Supply: Electronic, 96-305 VAC input
Input to LED: 48 Watts
Input Power: 58 VA
Adjustable Lens: 6.25" micro Fresnel
Country of Origin: United States

Manufacturer: PrimeTime Lighting Systems, Inc.
Address: 2122 Country Club Drive, Suite 240
Carrollton, TX 75006
(214) 393-5998 (voice)
(214) 393-5999 (fax)
Email: info@primetimelighting.com
Web page: PrimeTimeLighting.com



INTRODUCTION

Thank you for your selection of one of the most effective studio luminaires, the GUS 51 LED Fresnel. This true Fresnel, high performance luminaire should provide many years of low cost operation. The GUS 51 is a well-engineered and energy-efficient replacement for conventional Fresnel luminaires with tungsten lamps.

GENERAL INFORMATION

The GUS 51 is designed to maximize “throw” or “punch” by collimating the light when the beam adjustment knob is turned clock-wise to the stop, producing an 11 degree beam angle. This setting is called the “Full Spot”, while the other extreme of the adjustment, called ‘Full Flood’ provides near uniform light intensity over a field angle of 80 degrees. This adjustability covers a ratio of 15 to 1 light intensity. Unwanted spill is controlled with barn doors. The GUS-51 is available in CCTs of 3000 Kelvin and 5000 Kelvin which can be altered with the color frame by adding a gel.

The GUS-51 is made of machined and extruded aluminum and selectively powder coated in distinctive dark blue. Accessories are made of cold rolled steel. Standard luminaires are equipped with detachable 10’ long power cords. Each 120 volt cord is equipped with Edison 3 prong connectors. Other voltage models are shipped with optional plug specified. A fused power inlet receptacle is supplied for most models. Adjacent fixtures may be powered with this connector so long as the load does not exceed 4 amps. (fig. 2) Fuse is fast acting type 217, 6 Amp. The switch controls the power to the one fixture. Power is indicated when the switch is lit.



Manufactured in the USA by:

PrimeTime Lighting Systems, Inc. • 2122 Country Club Dr. Suite 240 • Carrollton, TX 75006 (214)-393-5998

PrimeTimeLighting.com

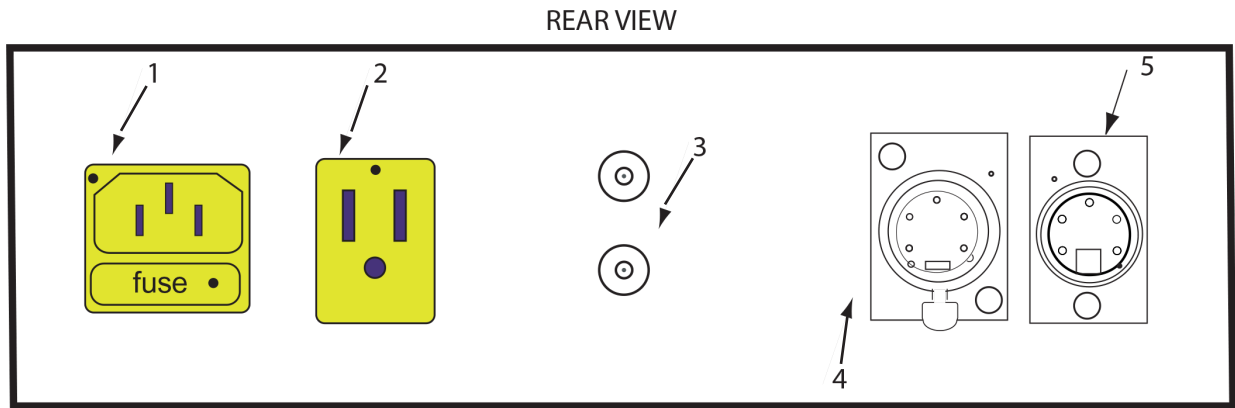


fig 2

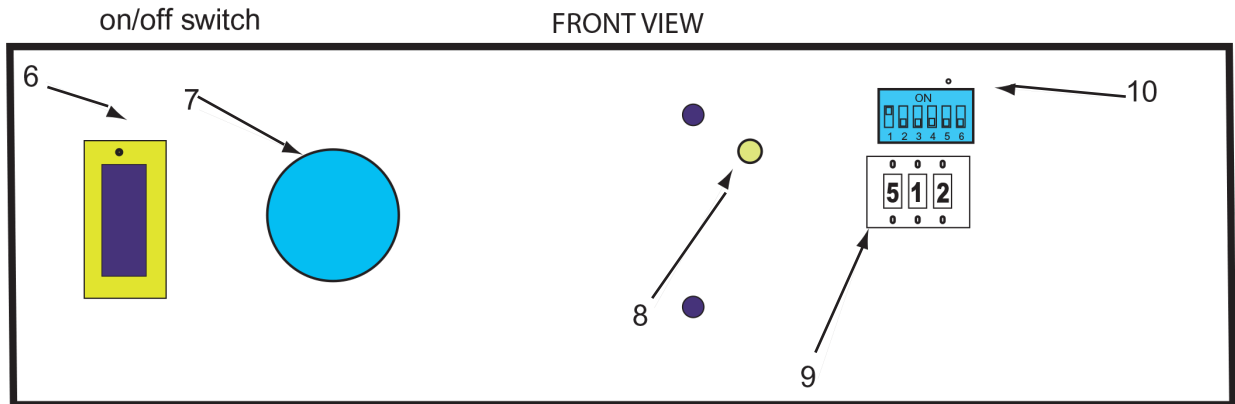


fig 3

1. Fused power inlet receptacle. Fuse rated at 6 A. Spare fuse in carrier.
2. 120 Vac outlet. May be used to daisy chain power to other fixtures totaling 4 Amps.
3. Analog dimming signal out for optional slave fixtures if used. If the fixture is not equipped with DMX these BNC Connectors may used for analog signal in from optional 8 channel DMX-analog decoder. Discontinued.
4. DMX Signal cable outlet for daisy chaining DMX signal.
5. DMX signal cable inlet.
6. Power switch to fixture. Power is on when switch is lit.
7. Local (manual) dimming switch/controller. Discontinued.
8. DMX signal present indicator light, green if signal is present, red if absent.
9. DMX Channel selector (1-512). Signal must be present for fixture to light. For a preset light level without DMX signal set selector to between 605-699 to obtain 5-99% of light.
10. DMX Signal terminate switch. To prevent signal reflection switch #1 to "on" at last fixture in signal chain.

OPERATION

- 1. ON/OFF** - To turn on, push the lighted power switch (6) to the “on” position.
- 2. 10 V Dimming** – Each GUS Fresnel comes equipped with 10 V analog dimming. This is designed for us with our “DE8” DMX to 10 V converters. 10 V connections are made with BNC (3) cables, and can be daisy-chained.
- 3. DMX Dimming** – Each GUS Fresnel is equipped with DMX dimming. Control connection is made via 5-pin XLR cables. Each GUS has DMX “in” and “out” connections daisy-chaining (5).
 - To operate DMX, the manual dimming knob (7) must be turned all the way to the left (counter-clockwise) to engage DMX control.
 - Set DMX address via 3-digit window (9).
 - DMX termination can be set via dipswitch (10).
- 4. Manual Dimming** – 3-digit DMX address (9) must be set to “699” for full brightness. On-board manual dimming is controlled via Dimming-knob (7). Knobs should be turned clockwise to dim. NOTE: As knob is turned clockwise the first 1/8 turn, user will feel a “click”. This is the DMX being disengaged for manual dimming.
- 5. On-board Digital Dimming** – Each GUS Fresnel can be dimmed with on-board digital dimming. This is achieved via the 3-digit window (9). The numerical range from 600 to 699 controls brightness from 0 to 99%. EXAMPLE: A setting of 650 will establish a brightness of 50%. This feature can only be used when not connected to DMX.

One of the premier features of the GUS 51 is that it is thoroughly passive in the rejection of heat. No fans or other mechanical devices are needed to insure that no damage occurs due to overheating. This product was designed from its inception as an LED Fresnel, not an adaptation of an old incandescent model. The robustness of the heat sink and the design of the external housing, along with several proprietary design features, insures that the luminaire will not over heat in ambient air as hot as 120 degrees F. Continuous operation in ambient air in excess of 120 degrees F (49 degrees C) is not advisable.



CLEANING

Periodic dust removal is necessary to maintain light intensity and quality.

Caution: Never open the Fresnel fixture unless the unit has thoroughly cooled. Never touch the LED diodes even when cool as skin oils will cause damage.

Caution: disconnect power to the fixture before opening.

The lensed bezel will swing open by loosening the 1/4" Allen bolt opposite the hinge. This will expose the heat sink and the LED Cluster. Low pressure compressed air, not canned Freon is best for dust removal. A feather duster is acceptable if not used too vigorously. Small quantities of Isopropyl alcohol is the only acceptable cleaning agent, when applied by a soft cotton cloth. DO NOT touch or use a cleaning agent on the diodes.

Caution: Again, make sure that the fixture is cool and electrically disconnected as isopropyl alcohol is highly flammable. When cleaning is complete, make sure the fixture is dry and mechanically closed and fastened before applying power.

SAFETY PRECAUTIONS

Caution: Never look directly the light source

One of the premier features of the GUS 51 is that it is thoroughly passive in the rejection of heat. No fans or other mechanical devices are needed to insure that no damage occurs due to over heating. This product was designed from scratch as an LED Fresnel not an adaptation of an old incandescent model. The robustness of the heat sink and the design of the external housing, along with several proprietary design features, insures that the luminaire will not over heat in ambient air as hot as 120 degrees F. Continuous operation in ambient air in excess of 120 dgr . F (49 dgr. C) is not advisable.



Manufactured in the USA by:

PrimeTime Lighting Systems, Inc. • 2122 Country Club Dr. Suite 240 • Carrollton, TX 75006 (214)-393-5998

PrimeTimeLighting.com

WARRANTY

PrimeTime Lighting Systems warrants that the GUS 51 LED Fresnel will be free from defects in material and workmanship and will substantially maintain performance characteristics for a period of five years.

In the event the product is found to be defective under this warranty, Seller will repair or replace such fixture found to be defective. Any additional warranty provisions are the responsibility of the individual authorized dealer/contractor. To obtain warranty service, please contact PrimeTime Lighting Systems, 2122 Country Club Dr. Suite 240, Carrollton, TX 75006. This warranty is void if the product has been subjected to abuse or improper care. Seller shall not be liable in either tort or contract for any loss or damage, direct, consequential, or incidental arising out of the use of or inability to use this product. Some states do not allow the exclusion or limitation of incidental or consequential damages so the above limitations may not apply to you. THIS WARRANTY GIVES YOU SPECIFIC LEGAL RIGHTS AND YOU MAY ALSO HAVE OTHER RIGHTS, WHICH VARY, FROM STATE TO STATE.



Manufactured in the USA by:

PrimeTime Lighting Systems, Inc. • 2122 Country Club Dr. Suite 240 • Carrollton, TX 75006 (214)-393-5998

PrimeTimeLighting.com